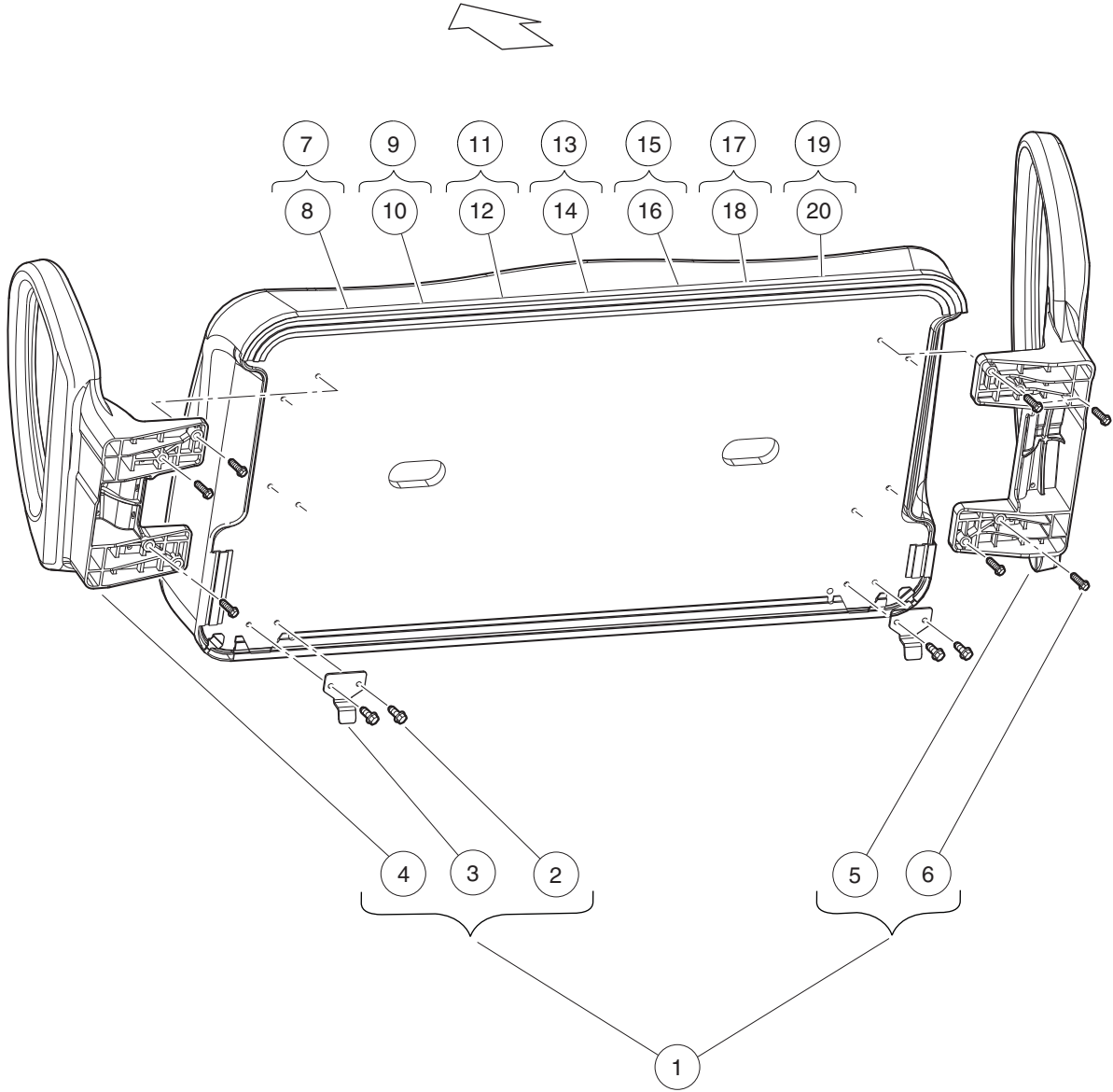


**1**  
**G**  
**E**



000440-006

# SEAT BOTTOM WITH HIP RESTRAINTS

ITEM	PART NO.	DESCRIPTION	QTY
		<b>1 2 3 4</b>	
1	103833901	Kit, Prec, Seat Botm (includes items 2 through 6) .....	1
2	101954301	Screw, 1/4-20 X 0.75 Hex-Head Cap .....	4
3	103832901	Hinge, Seat Bottom .....	2
4	103833601	Hip Restraint, Drv .....	1
5	103833701	Hip Restraint, Pas .....	1
6	103833801	1/4-20 X 1.5 Hex Flg Patch .....	8
7	104023421	Service, Asm, Beige, Seat Btm (includes item 8) .....	1
8	101998501	Gasket, Seat .....	1
9	104023422	Service, Asm, White, Seat Btm (includes item 10) .....	1
10	101998501	Gasket, Seat .....	1
11	104023424	Service, Asm, Gray, Seat Btm (includes item 12) .....	1
12	101998501	Gasket, Seat .....	1
13	104023425	Service, Asm, Black, Seat Btm (includes item 14) .....	1
14	101998501	Gasket, Seat .....	1
15	105223321	Sp,asm,prem Seat Botm,lt Beige (includes item 16) .....	1
16	101998501	Gasket, Seat .....	1
17	105223322	Sp,asm,prem Seat Botm,camello (includes item 18) .....	1
18	101998501	Gasket, Seat .....	1
19	105223323	Sp,asm,prem Seat Botm,off Wht (includes item 20) .....	1
20	101998501	Gasket, Seat .....	1

**1**  
**G**  
**E**