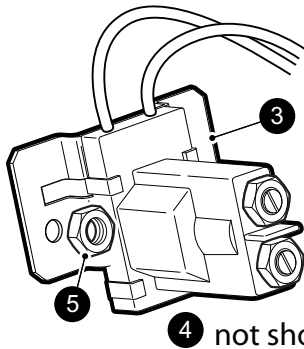
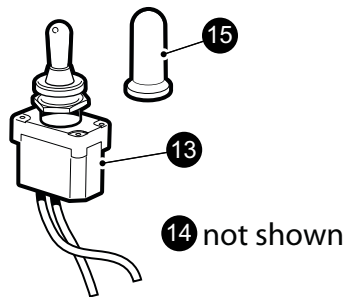


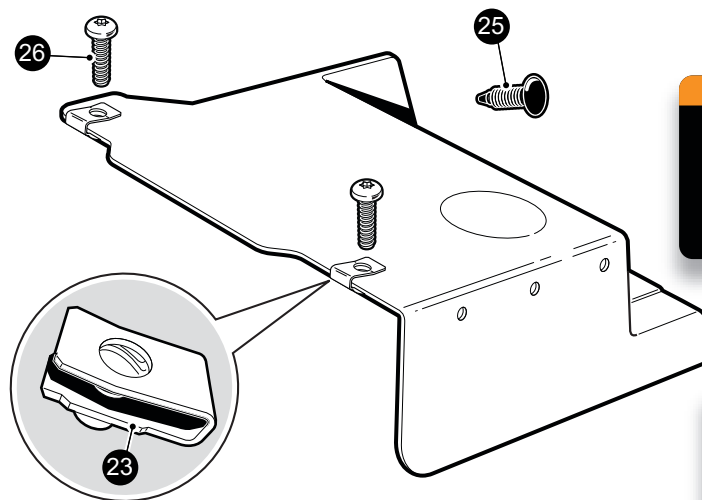
- 1** Main Electrical Harness (not shown)
(includes items 3, 8, 13, 15 & 18)



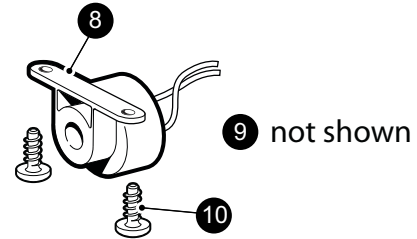
- 2** Solenoid Replacement Kit
(includes items 3 & 4)



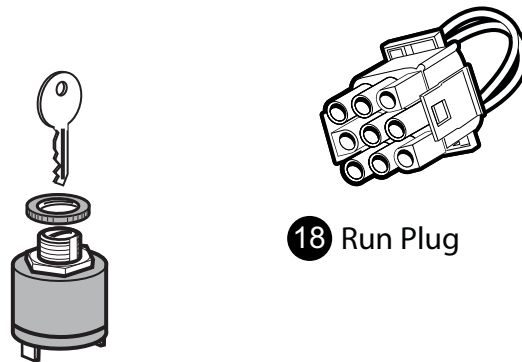
- 12** Run Tow Switch Replacement Kit
(includes items 13 - 15)



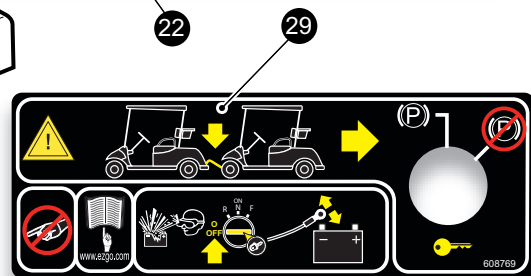
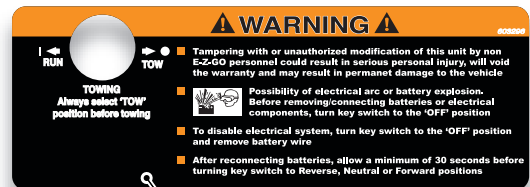
- 21** Controller Splash Shield Assembly
(includes items 22 & 23)



- 7** Reverse Warning Indicator Replacement Kit
(includes items 8, 9 & 10)



- 28** CE Run Tow Switch with Key



When ordering parts, please specify the model and serial number of the product.

* Indicates a component that is not available as an individual part.

*** Indicates consult Customer Service Department for additional information.

ITEM	PART NO.	1 2 3 4 5	DESCRIPTION	QTY.
1	601969		MAIN ELECTRICAL HARNESS, 48V (includes items 3, 8 , 13, 15 & 18).....	1
2	608897		SOLENOID REPLACEMENT KIT (includes items 3 & 4).....	1
3	606971		SOLENOID.....	1
4	608896		WATERPROOF BUTT SPLICE.....	2
5	601476		LOCK NUT, M6 - 1	2
6				
7	608899		REVERSE WARNING INDICATOR REPLACEMENT KIT (inc items 8 - 10)	1
8	608882		REVERSE WARNING INDICATOR	1
9	608896		WATERPROOF BUTT SPLICE.....	2
10	01051-G1		PAN HEAD PHILLIPS SCREW, #8 - 16.....	2
11				
12	608900		RUN/TOW SWITCH REPLACEMENT KIT (includes items 13 - 15)	1
13	606980		RUN TOW SWITCH.....	1
14	608896		WATERPROOF BUTT SPLICE.....	2
15	605969		RUBBER BOOT	1
16				
17				
18	608039		RUN PLUG	1
19				
20				
21	605965		CONTROLLER SPLASH SHIELD ASSEMBLY (includes items 22 & 23).....	1
22	603296		RUN/TOW WARNING DECAL	1
23	602409		BARREL CLIP, M6 - 1	2
24				
25	16816-G1		CHRISTMAS TREE RIVET.....	1
26	601326		BUTTON HEAD TORX BOLT, M6-1 X 20	2
27				
28	608810		CE RUN TOW SWITCH WITH KEY	1
29	608769		CE RUN/TOW WARNING DECAL.....	1
30				
31				