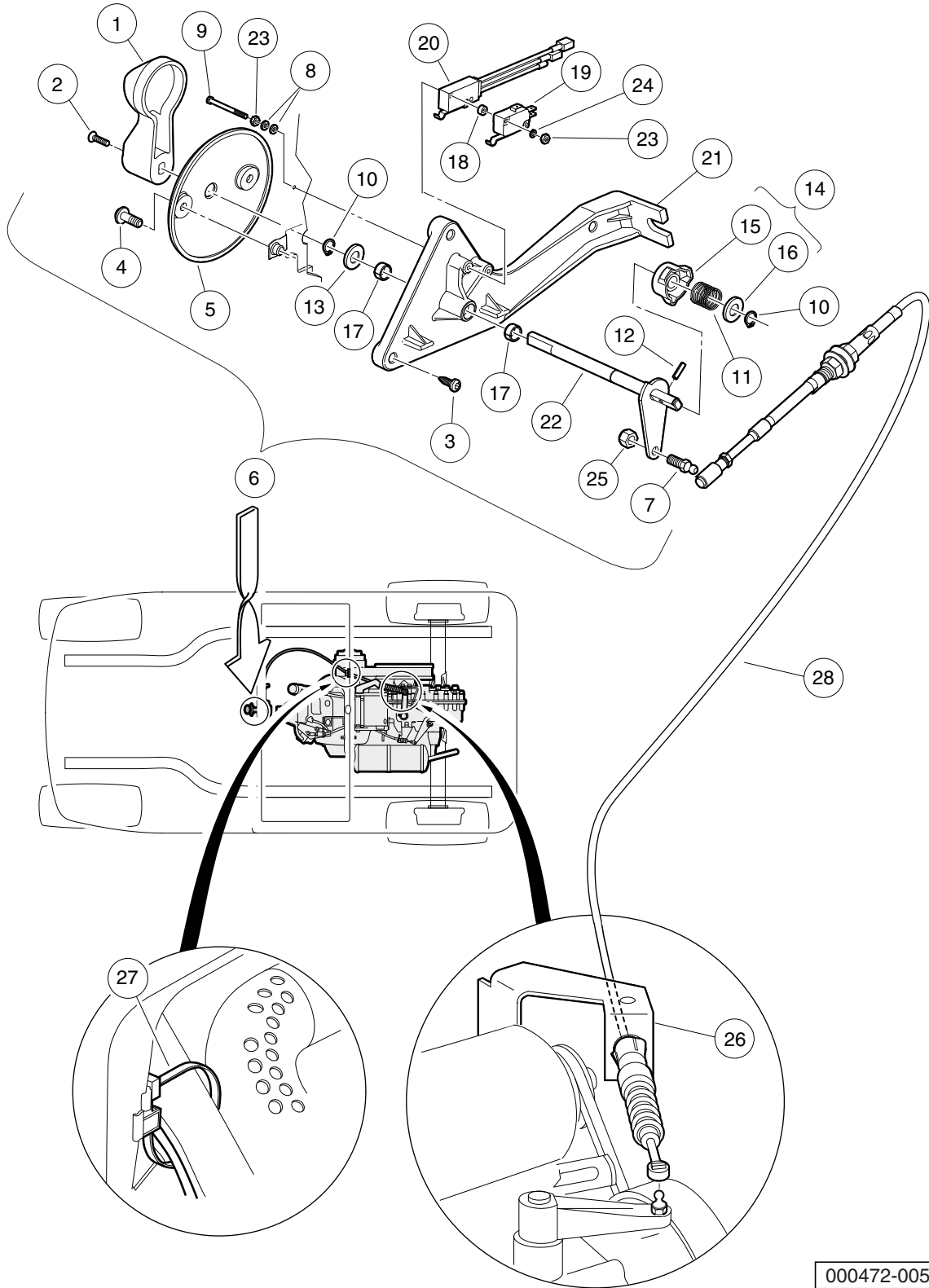


6
G



000472-005

FORWARD/REVERSE SHIFTER ASSEMBLY – GASOLINE VEHICLE

ITEM	PART NO.	DESCRIPTION	QTY
		1 2 3 4	
1	1012987	Handle, FNR	1
2	1015064	Screw, #8-32 X 0.63 Machine	1
3	102296040	Screw, Torx Pan Hd Pt, M6 X 40	3
4	102296920	Screw, M6 Torx Bttn Hd Sems	2
5	102512001	Bezel, FNR Gas	1
6	102514602	Assembly Gas Fnr Shifter Svc (includes items 7 through 25)	1
7	1010954	Stud, 1/4-28 X 0.560 Ball	1
8	1012431	Washer, #4 Flat	4
9	1012594	Screw, #4-40 Machine	2
10	1013589	Ring, 0.338" Internal Retaining	2
11	1013590	Spring, FNR Cam	1
12	1013591	Pin, 1/8 X 1/2 Roll	1
13	1014065	Washer, 0.38" ID Delrin Flat	1
14	1014089	Neutral Lockout Cam Kit (includes items 15 and 16)	1
15	N/A	Cam, Neutral Lockout	1
16	1014065	Washer, 0.38" ID Delrin Flat	1
17	1014145	Bushing, Secondary Weight, Split	2
18	1014727	Washer, #4 Nylon Flat	2
19	1014807	Switch, Limit	1
20	101979101	Assembly, Switch, Limit	1
21	102515601	Base, Gas FNR Shifter	1
22	103943201	Weldment, F-n-r Gas	1
23	8057	Nut, #4-40 Hex Machine	4
24	8058	Lockwasher, #4 Split	2
25	8717	Locknut, 1/4-28 Nylon Insert	1
26	102515501	Bracket-trans Cable Support	1
27	102554901	Clip,edge,trans Shift Cable	1
28	103379601	Cable, Transmission, Prec	1
		Note: Item 22, FNR weldment 103943201 replaced 102515301 beginning with vehicle serial number 1231-296097. The former FNR weldment required a quantity of two nylon washers, item 13.	

6
G