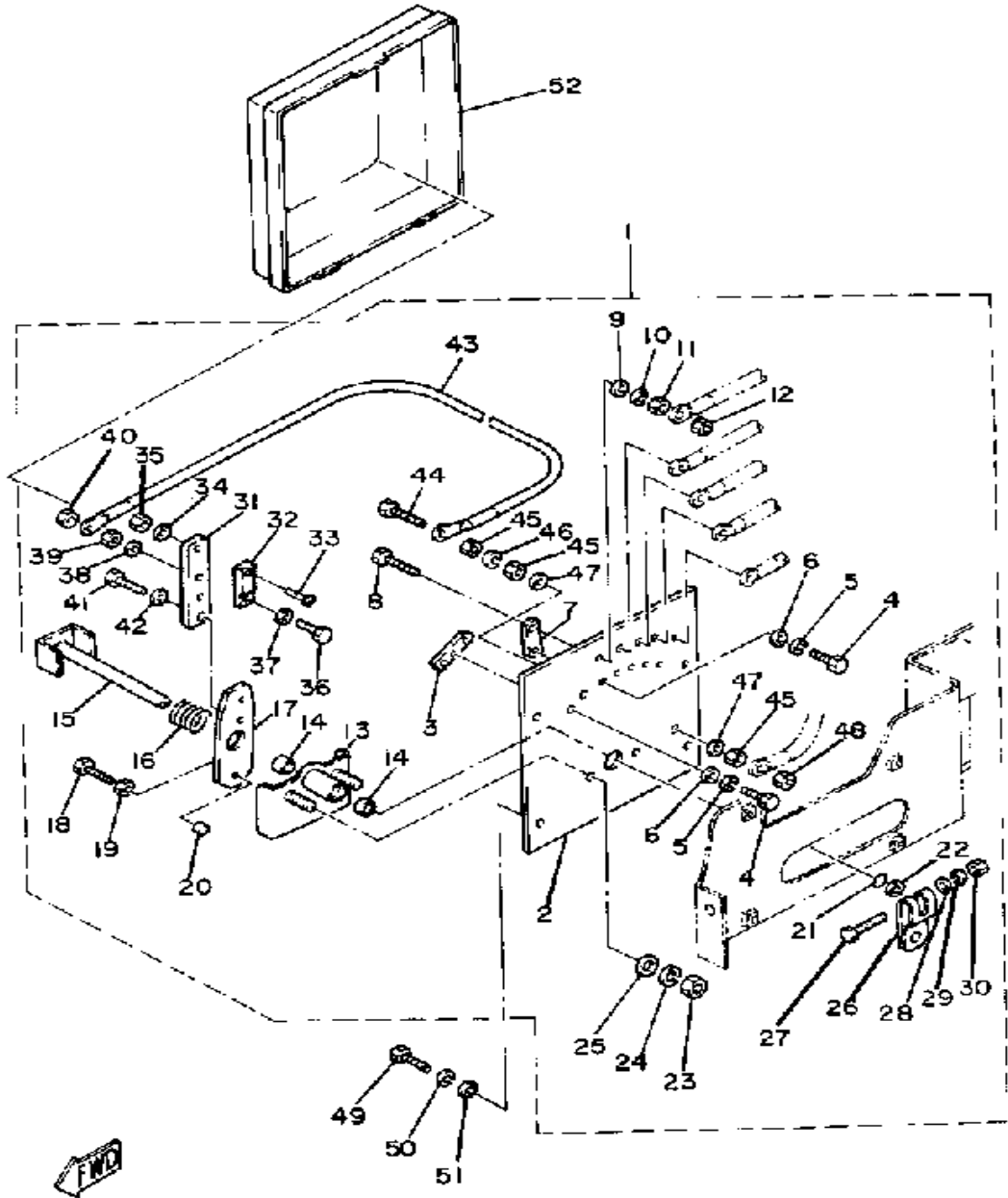


# CONTROLLER 1



Ref. No.	Part Number	Description	Qty	Remarks
1	J46-86140-00-00	CONTROLLER ASS'Y (J22-86140-00)	1	
2	J46-86142-00-00	. BASE, PLATE	1	
3	J14-82103-00-00	. TERMINAL 1	1	
4	97013-06012-00	. BOLT	7	
5	92995-06100-00	. WASHER, SPRING	7	
6	92990-06200-00	. WASHER	7	
7	J14-86162-00-00	. CONTACT, STATE	5	
8	90101-06469-00	. BOLT	5	
9	92990-06200-00	. WASHER	5	
10	92995-06100-00	. WASHER, SPRING	5	
11	95380-06700-00	. NUT	5	
12	95320-06600-00	. NUT	5	
13	J14-86156-00-00	. HOLDER, SHAFT	1	
14	90380-10010-00	. BUSH, SOLID	2	
15	J14-86155-01-00	. SHAFT, CONTROLLER	1	
16	90501-16573-00	. SPRING, COMPRESSION	1	
17	J14-86152-00-00	. ARM, MOVING	1	
18	97023-06020-00	. BOLT (3XF)	1	
19	95380-06700-00	. NUT	1	
20	90386-05111-00	. BUSH, SPEC'L NYLON	1	
21	93210-10166-00	. O-RING	1	
22	92990-10200-00	. WASHER, PLAIN	1	
23	95303-08700-00	. NUT	2	
24	92990-08100-00	. WASHER	2	
25	92901-08600-00	. WASHER	2	
26	J14-86144-01-00	. LEVER, CONTROLLER	1	
27	97021-06030-00	. BOLT	1	
28	90201-061A5-00	. WASHER, PLATE	1	

CONTINUED ON NEXT FRAME ►

