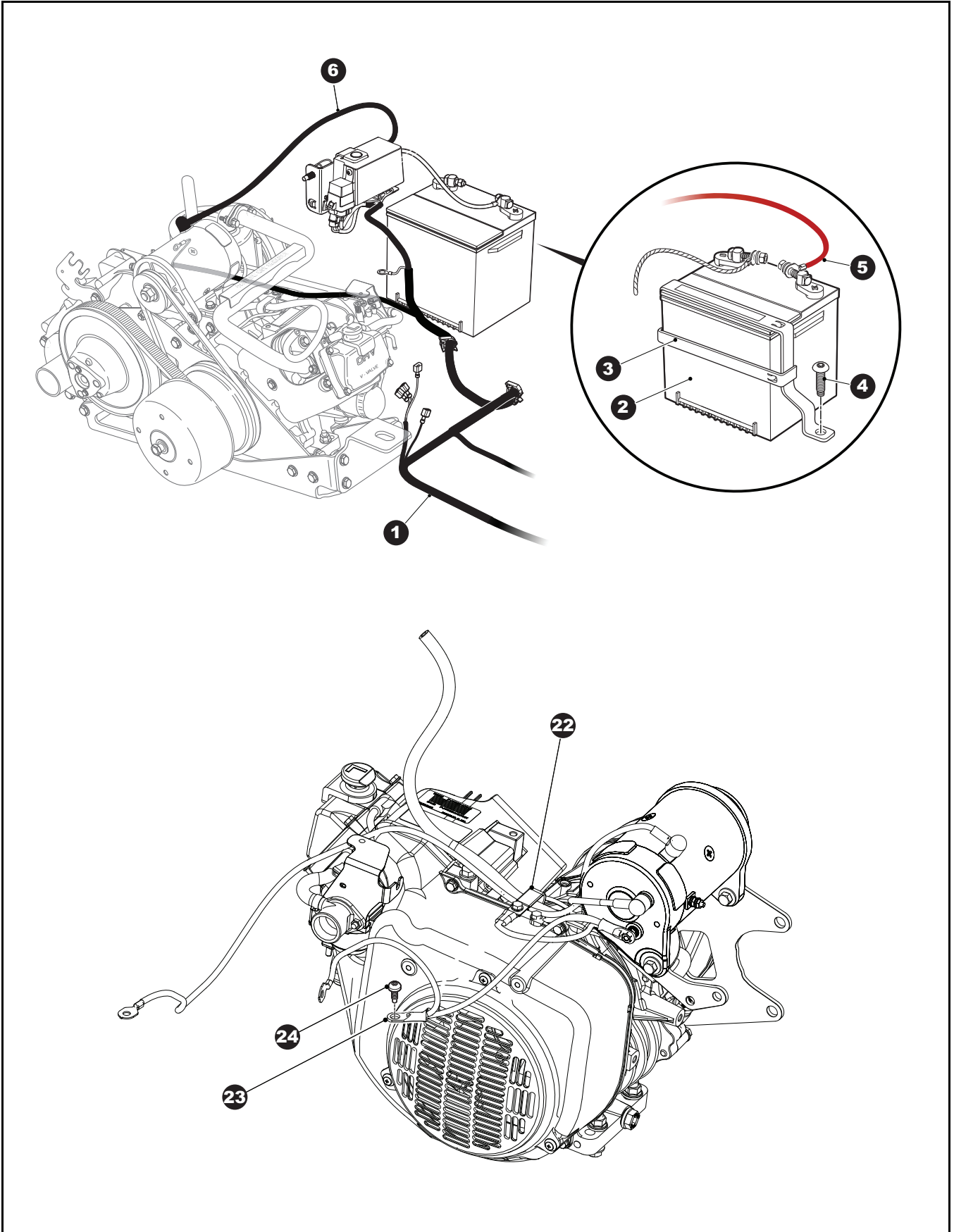
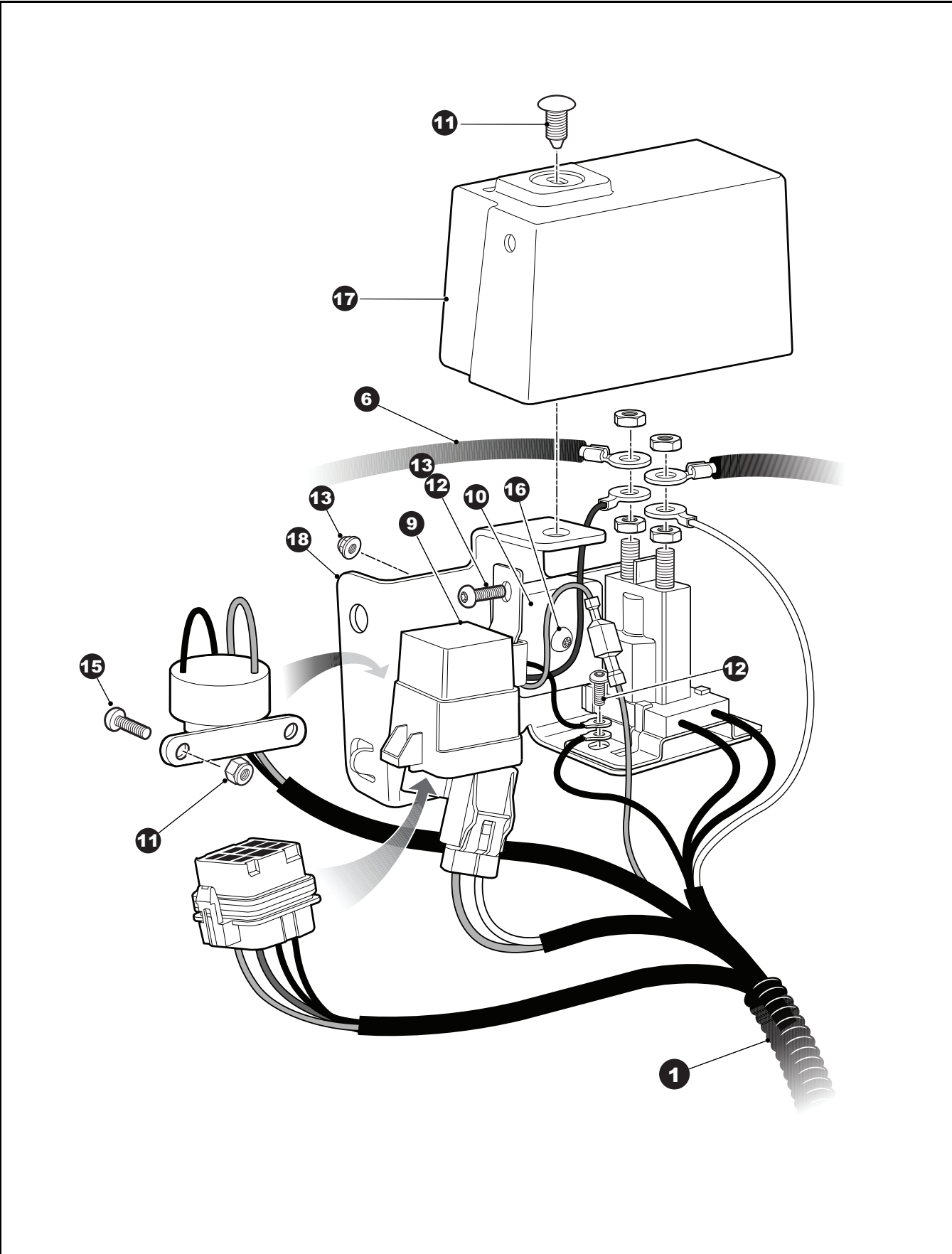


# ELECTRICAL SYSTEM





# ELECTRICAL SYSTEM

Where applicable, THE USE OF NON UL PARTS WILL VOID ANY UL LISTING.

When ordering parts, please specify the model and serial number of the product.

\* Indicates a component that is not available as an individual part.

G\*\* Indicates consult Customer Service Department for additional information.

ITEM	PART NO.	1 2 3 4 5	DESCRIPTION	QTY.
1	602163		MAIN HARNESS, FLEET .....	1
2	24775G1		BATTERY, 12V .....	1
3	601832		BATTERY TIE DOWN .....	1
4	605957		BOSS SCREW, M8 .....	2
5	601462		POSITIVE BATTERY CABLE (SOL - BATT+) .....	1
6	603874		6 GA. WIRE, (SOL - F2).....	1
7				
8				
9	603282		RELAY, 12V .....	1
10	27739G01		VOLTAGE REGULATOR.....	1
11	16816G1		RACHET FASTENER.....	1
12	601326		SCREW, M6 - 1.0 X 25.....	3
13	601476		NUT, M6 - 1 .....	4
14	602053		NUT, M4 .....	3
15	600543		SCREW, M4 - 0.7 X 12.....	3
16	602063		SCREW, M6 - 1.0 X 40.....	1
17	603390		COVER.....	1
18	600962		BRACKET .....	1
19				
20				
21	602070		GROUND CABLE.....	1
22	606962		CLAMP .....	1
23	606264		BOLT, M6 - 1.0 X 20 .....	1
24	602572		BOLT, M10 - 1.5 - 25 .....	1
25				
26				
27	607120		HOUR METER .....	1
28	603721		HOUR METER BRACKET .....	1
29				
30				