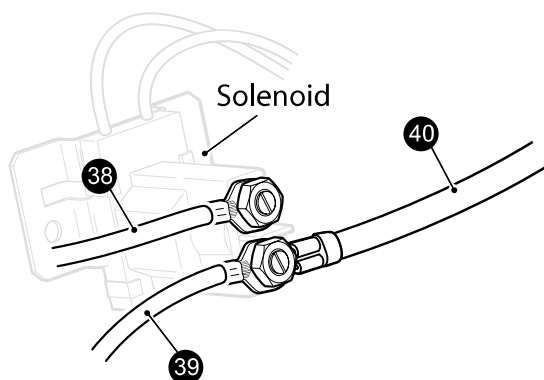
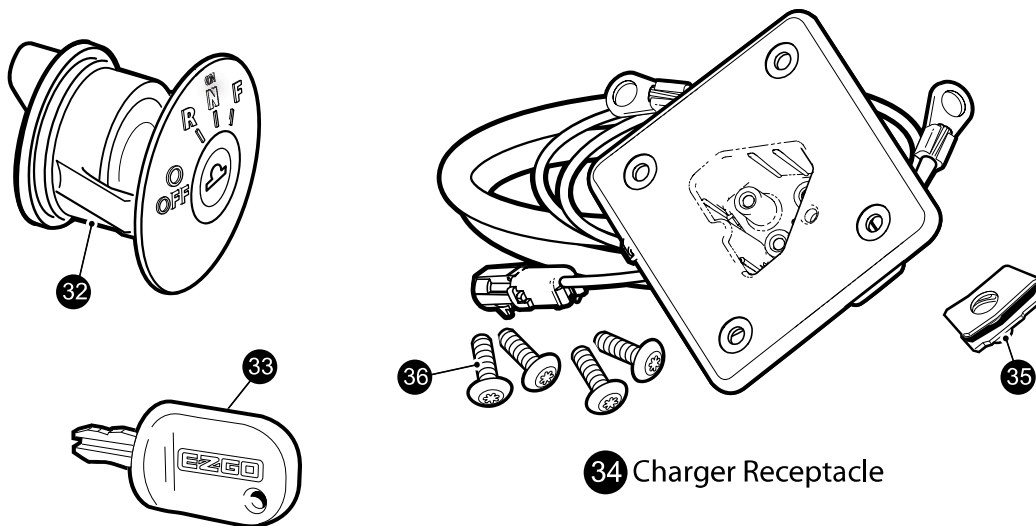


# ELECTRICAL



When ordering parts, please specify the model and serial number of the product.  
 \* Indicates a component that is not available as an individual part.  
 \*\*\* Indicates consult Customer Service Department for additional information.

ITEM	PART NO.	1	2	3	4	5	DESCRIPTION	QTY.
32	605637						KEY SWITCH, R-N-F .....	1
33	605946						KEY .....	1
34	602529						CHARGER RECEPTACLE, 48V DELTA-Q .....	1
35	602409						BARREL CLIP, M6 - 1 .....	1
36	601326						BUTTON HEAD TORX BOLT, M6-1 X 20 .....	4
37								
38	603022						RED WIRE ASSEMBLY, 6 AWG X 687mm.....	1
39	603021						RED WIRE ASSEMBLY, 6 AWG X 220mm.....	1
40	607707						WHITE WIRE ASSEMBLY, 10 AWG X 250mm.....	1