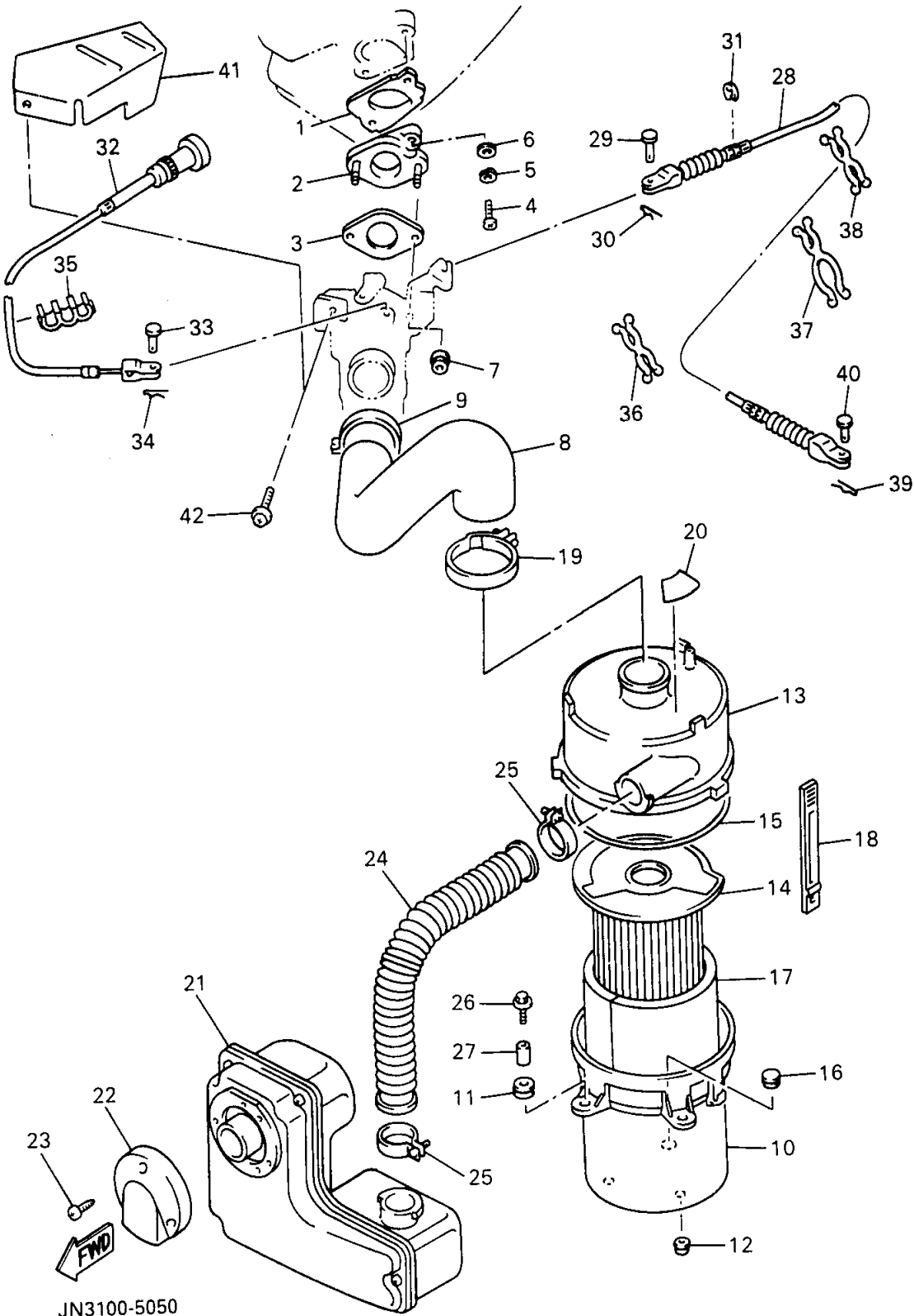


# INTAKE



| Ref. No. | Part Number     | Description                            | Qty | Remarks |
|----------|-----------------|--|-----|---------|
| 1        | J38-13556-01-00 | GASKET, MANIFOLD .....                 | 1   |         |
| 2        | J38-13596-00-00 | JOINT, CARBURETOR 2 .....              | 1   |         |
| 3        | J38-13557-01-00 | GASKET .....                           | 1   |         |
| 4        | 98517-06030-00  | SCREW, PAN HEAD (98507-06030-00) ..... | 2   |         |
| 5        | 92907-06100-00  | WASHER, SPRING .....                   | 2   |         |
| 6        | 92907-06600-00  | WASHER, PLATE .....                    | 2   |         |
| 7        | 95607-06200-00  | NUT, SELF U-FLANGE .....               | 2   |         |
| 8        | J38-14453-01-00 | JOINT, AIR CLEANER 1 .....             | 1   |         |
| 9        | 90460-53239-00  | CLAMP, HOSE .....                      | 1   |         |
| 10       | J10-14411-01-00 | CASE, air cleaner 1 .....              | 1   |         |
| 11       | 90480-13238-00  | GROMMET .....                          | 2   |         |
| 12       | 90480-14239-00  | GROMMET .....                          | 2   |         |
| 13       | JN3-14412-00-00 | CAP, CLEANER CASE 1 .....              | 1   |         |
| 14       | JF7-14450-01-00 | ELEMENT ASSEMBLY, AIR CLEANER .....    | 1   |         |
| 15       | JN3-14452-00-00 | SEAL .....                             | 1   |         |
| 16       | 90480-14100-00  | GROMMET .....                          | 1   |         |
| 17       | J10-14417-00-00 | COVER 1 .....                          | 1   |         |
| 18       | J45-14436-00-00 | HOOK .....                             | 3   |         |
| 19       | 90460-43053-00  | CLAMP, HOSE .....                      | 1   |         |
| 20       | JN3-K7761-00-00 | LABEL, WARNING 1 .....                 | 1   |         |
| 21       | JN5-1446A-00-00 | SURGE TANK ASSEMBLY .....              | 1   |         |
| 22       | JN3-14417-00-00 | COVER 1 .....                          | 1   |         |
| 23       | 97780-50130-00  | SCREW, TAPPING .....                   | 3   |         |
| 24       | JN3-14437-00-00 | DUCT .....                             | 1   |         |
| 25       | 90460-33087-00  | CLAMP, HOSE .....                      | 2   |         |
| 26       | 90119-06097-00  | BOLT, WITH WASHER .....                | 2   |         |
| 27       | 90387-06026-00  | COLLAR .....                           | 2   |         |

CONTINUED ON NEXT FRAME ►

