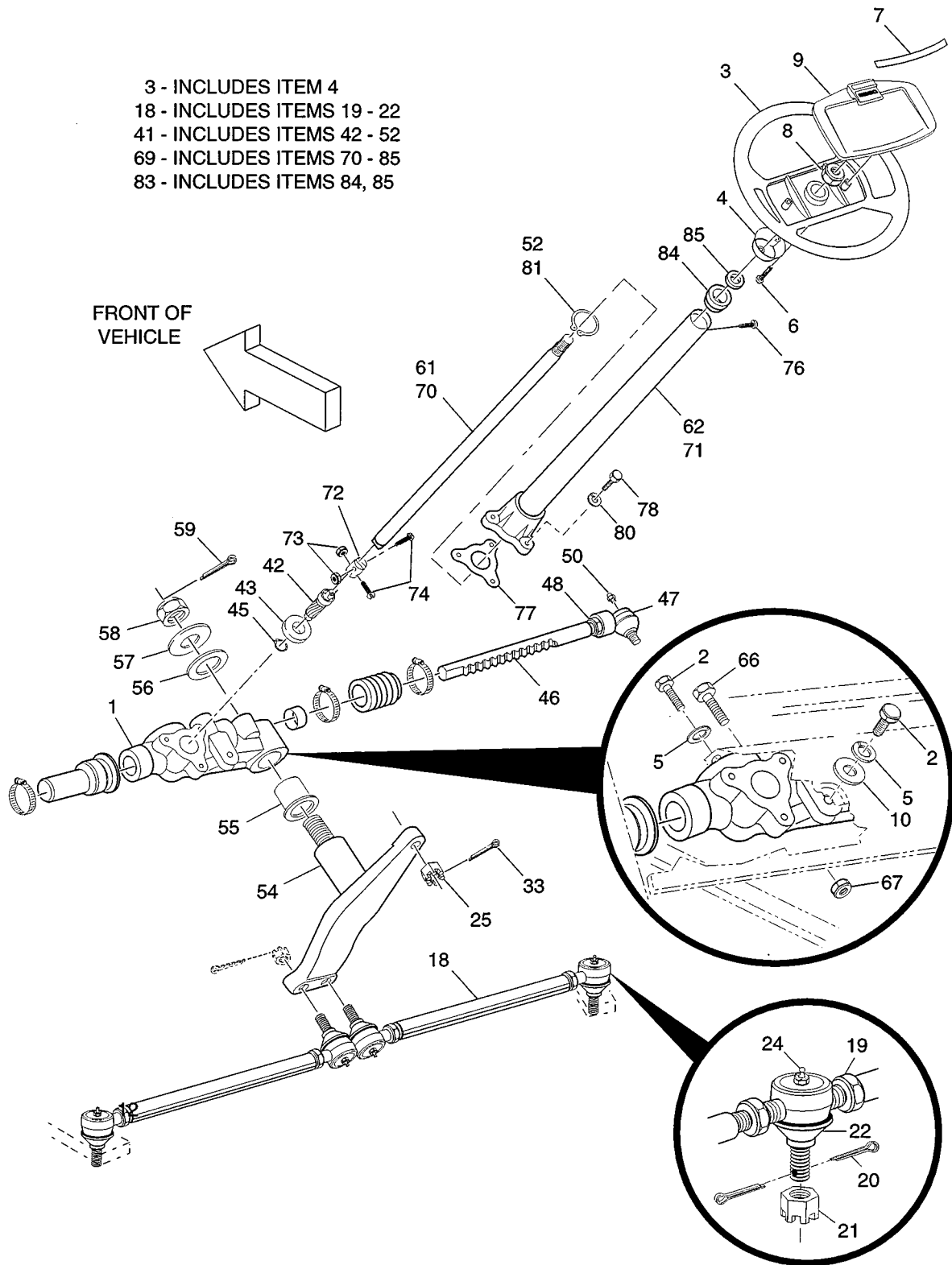


- 3 - INCLUDES ITEM 4
- 18 - INCLUDES ITEMS 19 - 22
- 41 - INCLUDES ITEMS 42 - 52
- 69 - INCLUDES ITEMS 70 - 85
- 83 - INCLUDES ITEMS 84, 85



THE USE OF NON UL PARTS WILL VOID ANY UL LISTING.

When ordering parts, please specify the model and serial number of the product.

* Indicates a component that is not available as an individual part.

G** Indicates consult Customer Service Department for additional information.

ITEM	PART NO.	1 2 3 4 5	DESCRIPTION	QTY.
1	70314-G01		STEERING BOX ASSEMBLY, COMPLETE	1
2	00462-G7		SCREW, 7/16 - 14 X 7/8 LG.....	4
3	18325-G1		STEERING WHEEL (INCLUDES ITEM 4).....	1
4	*		HUB COVER, EXTENSION.....	1
5	00566-G2		WASHER, LOCK, 7/16.....	4
6	00999-G01		BOLT, #8 - 18 X 7/8 LG.	2
7	*		DECAL, SCORECARD	AR
8	14390-G2		NUT, LOCK, 5/8 - 18	1
9	27102-G01		SCORECARD HOLDER	1
10	00922-G3		WASHER, 7/16.....	1
11				
12				
13				
14				
15				
16				
17				
18	70074-G01		TIE ROD ASSEMBLY (INCLUDES ITEMS 19 - 22)	2
19	18434-G2		NUT, 9/16 - 18.....	2
20	10387-G2		PIN, COTTER, 3/32 X 1 LG.....	2
21	50209-G1		NUT, SLOTTED, 7/16 - 20.....	2
22	50641-G1		BOOT, RUBBER.....	2
23				
24	10389-G3		FITTING, GREASE	4
25	50209-G1		NUT, SLOTTED, 7/16 - 20	1
26				
27				
28				
29				
30				

STEERING

Electric / Gasoline Vehicle

THE USE OF NON UL PARTS WILL VOID ANY UL LISTING.

When ordering parts, please specify the model and serial number of the product.

* Indicates a component that is not available as an individual part.

G** Indicates consult Customer Service Department for additional information.

ITEM	PART NO.	1 2 3 4 5	DESCRIPTION	QTY.
31				
32				
33	10387-G2		PIN, COTTER, 3/32 X 1LG.	3
34				
35				
36				
37				
38				
39				
40				
41	70299-G01		STEERING GEAR KIT (INCLUDES ITEMS 42 - 52)	1
42	*		PINION, GEAR	1
43	*		BALL BEARING	1
44				
45	*		RING, RETAINING, EXTERNAL.....	1
46	*		RACK, STEERING.....	1
47	*		RACK BALL END (WITH NUT).....	1
48	*		NUT, 7/16 - 20	1
49				
50	*		GREASE FITTING, 90°.....	2
51				
52	*		RING, RETAINING, INTERNAL.....	1
53				
54	70184-G01		IDLER.....	1
55	70185-G01		BEARING, FLANGED	1
56	70216-G01		WASHER, THRUST, 1 1/2 I.D.	1
57	70195-G01		WASHER, THRUST, 7/8.....	1
58	00734-G6		NUT, LOCK, 7/8 - 9	1
59	00798-G8		PIN, COTTER, 5/32 X 1 3/4 LG.	1
60				

THE USE OF NON UL PARTS WILL VOID ANY UL LISTING.

When ordering parts, please specify the model and serial number of the product.

* Indicates a component that is not available as an individual part.

G** Indicates consult Customer Service Department for additional information.

ITEM	PART NO.	1 2 3 4 5	DESCRIPTION	QTY.
61	14322-G5		STEERING SHAFT (PRIOR TO SERIAL NUMBER 901144)	1
62	70222-G01		STEERING COLUMN (PRIOR TO SERIAL NUMBER 901144)	1
63				
64				
65				
66	00470-G4		SCREW, 7/16 - 20 X 2 1/2 LG.....	1
67	00734-G3		NUT, LOCK, 7/16 - 20	1
68				
69	70360-G01		STEERING SHAFT/COLUMN KIT (INCLUDES ITEMS 70 - 85) (SERIAL NUMBER 901144 AND LATER)	1
70	14322-G3		STEERING SHAFT.....	1
71	70333-G01		STEERING COLUMN	1
72	70226-G01		COUPLING	1
73	00550-G1		NUT, LOCK, 1/4 - 20.....	2
74	70227-G01		SCREW, 1/4 - 20 X 7/8 LG.	2
75				
76	00118-G2		SCREW, #6 - 18 X 1/4 LG.	1
77	70223-G01		GASKET, STEERING HOUSING	1
78	00876-G2		BOLT, 3/8 - 16 X 1 1/4 LG.....	3
79				
80	00878-G1		WASHER, LOCK, 3/8	3
81	70189-G01		RING, RETAINING, INTERNAL.....	1
82				
83	17161-G1		BUSHING/SEAL KIT (INCLUDES ITEMS 84, 85)	1
84	*		BUSHING, STEERING COLUMN.....	1
85	*		SEAL, SHAFT	1