

\*\*\*Rear Instructions only, front lift kit is sold separately and will include its own installation instructions. \*\*\*

# MADJAX<sup>®</sup>

## Part # 16-056 (REAR)

### MadJax King XD Lift Kit

(Yamaha Drive2 w/ Independent Rear Suspension)



SCAN CODE TO WATCH  
INSTALLATION VIDEO



## WARNING



- To reduce risk of accidents and injury or death -

#### Be Prepared

- Wear seatbelt, motorcycle helmet, eye protection, and protective gear.
- Keep your body completely inside the vehicle at all times. Keep both hands on the steering wheel. Be sure passenger is seated, belted, and holding onto the handholds.

#### Be Qualified and Responsible

- This vehicle is intended for use only by an operator 16 years or older with a valid motor vehicle license.
- Passenger and driver must be able to place both feet flat on the floorboard while seated upright with their backs against the seat backs.



#### Avoid Rollovers and Crushing Injuries

- Use care when turning:
  - Turning the steering wheel too far or too fast can result in a rollover or loss of control.
  - Slow down before entering a turn.
  - When making tight turns from a stop, or at slow speeds, avoid sudden or hard acceleration.
  - Avoid sideways sliding, skidding, or fishtailing, and never do donuts.
- Drive straight up and down inclines, not across them, if crossing a hill is unavoidable, drive slowly and turn downhill immediately if you feel the vehicle may tip.

**Abrupt maneuvers or aggressive driving have caused rollovers - even on flat, open areas.**

**MUST BE  
16 or Older**



# **WARNING:**

**Professional installation is recommended for this lift kit and must be performed while following these instructions.**

- \* After installing this lift kit, the front wheels must be properly aligned. Failure to properly align the front wheels may result in decreased ability to control the Golf Cart which may result in a rollover or crash.**
- \* The yellow Warning Label included with these instructions must be placed in a visible location to the operator of this vehicle.**
- \* This MadJax lift kit is not intended for use on carts other than Yamaha Drive2.**
- \* Review installation instructions steps to ensure this MadJax lift kit was properly installed to the provided instructions.**
- \* Increasing tire size larger than the stock 18" will increase the operating speed. Take care when maneuvering at all times.**
- \* Do NOT use tire heights greater than 22" tires on this 4" lift. Exceeding tire heights larger than recommended will cause unintended speeds and performance issues.**
- \* Be aware that this vehicle now handles differently. It is less stable and more sensitive to speed changes and the nature of operation.**
- \* Follow all operating instructions and warnings provided.**

For additional assistance, call our support line 1-800-959-0852 or visit our support page @ <https://www.nivelparts.com/madjax-support>

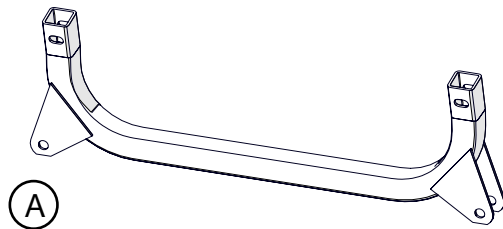
## ITEMS INCLUDED

- Rear Cradle Subframe
- Rear Shock Goalpost
- Hardware Pack

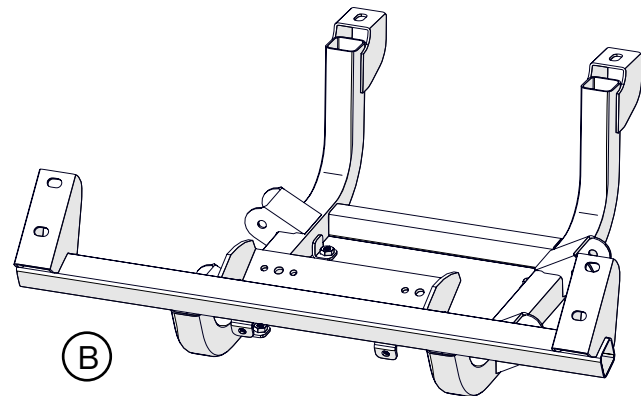
## TOOLS NEEDED

- Ratchet
- Torque Wrench
- 14mm Socket
- 17mm Socket
- 19mm Socket
- 14mm Wrench
- 17mm Wrench
- 5mm Allen Wrench
- Straight Edge
- Marker
- Angle Grinder
- Spray Paint

REAR SHOCK GOALPOST



REAR CRADLE SUBFRAME



ITEM	WARRANTY PART NUMBER	DESCRIPTION
-	N/A	HARDWARE KIT
A	16-056-28	REAR SHOCK GOALPOST
B	N/A	REAR SUSPENSION SUBFRAME

	HARDWARE	QUANTITY
REAR SHOCK GOALPOST	M10 X 55mm HEX BOLT	2
	M10 FLAT WASHER	4
	M10 LOCK NUT	2
REAR CRADLE SUBFRAME	M10 X 75mm HEX BOLT	2
	M10 FLAT WASHER	4
	M10 NYLOCK NUT	2

## STEP 1

 19mm SOCKET & 5mm ALLEN WRENCH

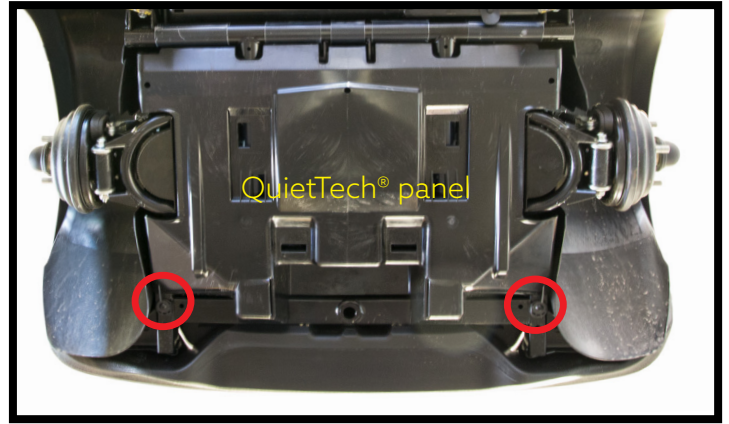
Chock front wheels and place the rear of the vehicle on jack stands under the vehicle frame. **Ensure the jack stands are properly placed under frame to support the vehicle to avoid damage or possible injury during installation.**

Remove the bagwell and QuietTech® panel shown for easier access to rear suspension components.

**Note:** This QuietTech® panel will NOT mount back to the cart once new rear cradle is installed.

Make sure the rear is raised high enough to accommodate the new lift and larger tires then remove the rear wheels.

**\*If applicable, your Rear Seat Kit will need to be temporarily removed to access rear suspension.**

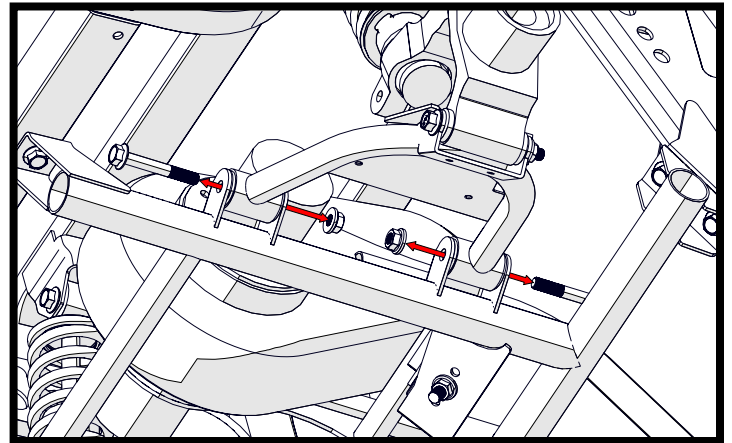


## STEP 2


 14mm SOCKET & WRENCH

Remove the rear control arms from the rear subframe, keeping all hardware.

The rear control arm and hub assembly will be suspended by the upper shock mounting bolt.

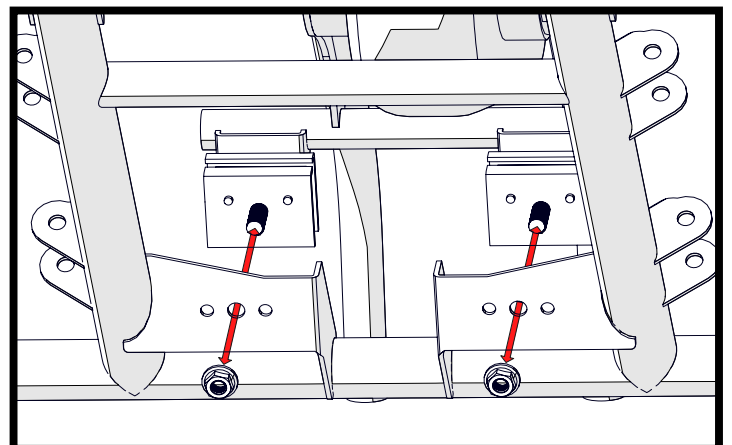


## STEP 3

 14mm SOCKET

Using a strap, support the rear differential weight from above by securing it to the vehicle frame.

Remove motor mount from the rear suspension sub frame. Retain the mounting nuts.





## STEP 4

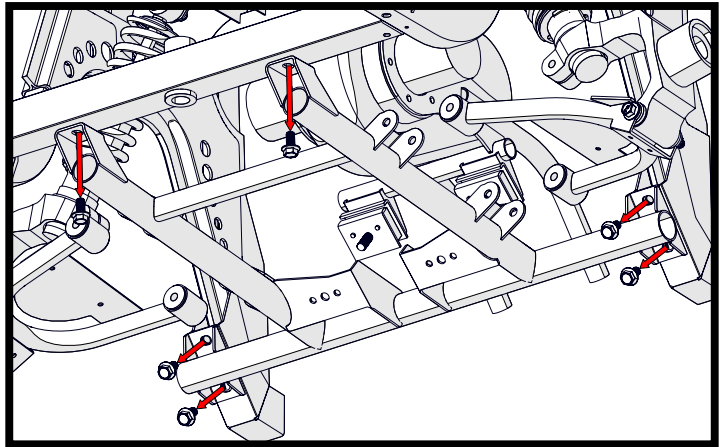


14mm SOCKET

Remove the 6 bolts mounting the rear suspension subframe to the vehicle frame. Retaining the hardware to install the new subframe.

2019 and older vehicles proceed to step 8.

**Caution: The subframe weight will be free from cart when the last bolt is removed. Support with a floor jack if needed.**



## STEP 5



STRAIGHT EDGE, MARKER

**For 2020 and new vehicles**, use a straight edge to mark a line on the frame bracket that is parallel to the subframe mounting face, as shown.

Repeat on the opposite side.



## STEP 6



ANGLE GRINDER, CUT OFF DISC, FLAP DISC

Use a cut off wheel and safety glasses to remove the unneeded portion of the bracket on both sides, as shown.

Deburr any sharp edges using a flap disc.



## STEP 7



SPRAY PAINT

Cover the newly exposed metal using a corrosion resistant paint.



## STEP 8

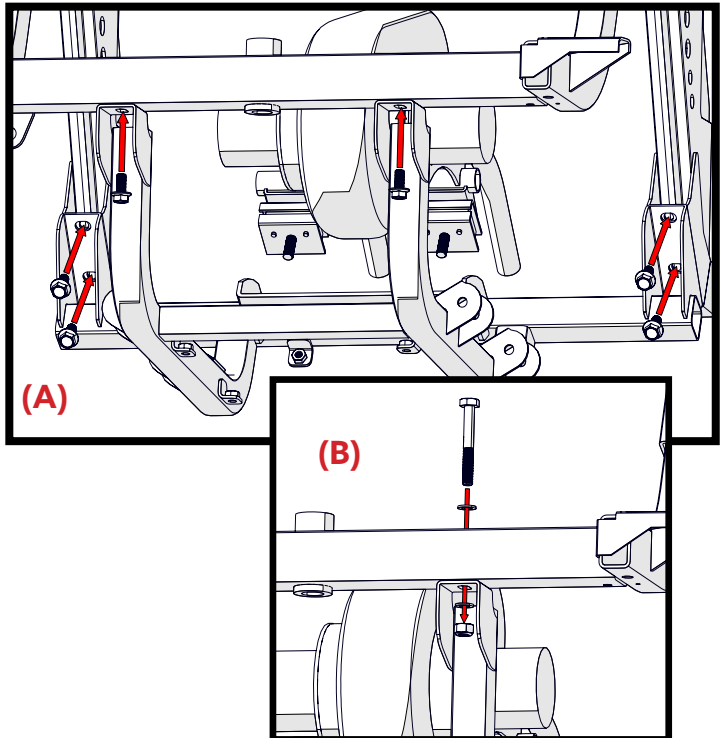


14mm SOCKET

**(A)** Install the new **Rear Cradle Subframe** to the vehicle using stock hardware retained from Step 4.

**(B)** If installing on a vehicle with a seat kit, or if the threaded holes in the rear frame tube are damaged, the holes must be drilled out. Drill the holes out to 7/16" (11mm) through both sides of the rear frame tube and the bagwell. Then use two (2) M10 x 70mm hex bolts, four (4) M10 flat washers, and two (2) M10 nylock nuts to secure the **Rear Cradle Subframe** to the vehicle.

**Do NOT fully tighten bolts until after next Step.**



## STEP 9



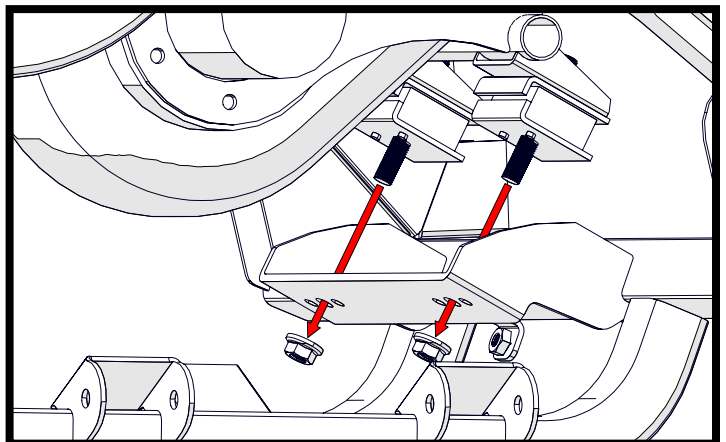
14mm SOCKET

Use a floor jack to support the rear differential weight. Remove the strap suspending the differential from vehicle. Carefully lower the the floorjack while aligning the motor mounts with the mounting holes on the subframe.

Install the motor mounts to the **Cradle Subframe** using the stock nuts removed in Step 3.

**Torque the motor mount hardware to 33-42 lb-ft (45-58 Nm).**

**Torque subframe mounting hardware to 29-36 lb-ft (40-50 Nm).**



## STEP 10

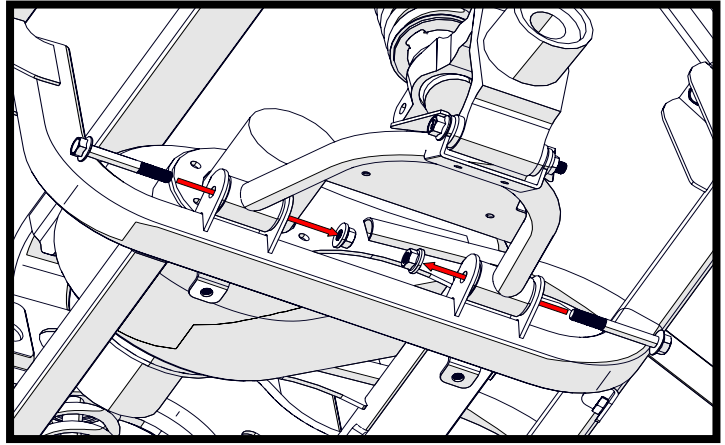


14mm SOCKET & WRENCH

Using the stock hardware from Step 2, install the rear control arms to the new **Cradle Subframe**.

**Torque hardware to 35-42 lb-ft (48-58 Nm).**

\*Leave jack stands in place under rear frame for **Goalpost** installation.



## Rear Goalpost Install

## STEP 11

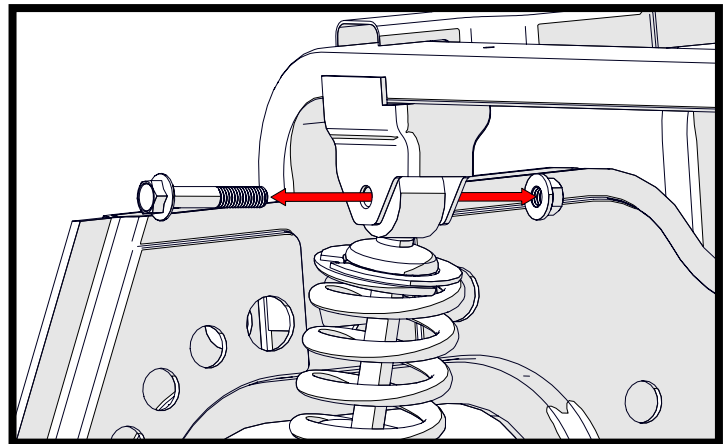


14mm SOCKET & WRENCH

With the control arms reattached to the vehicle, the upper shock mounting bolts can be removed.

Keep the hardware for use in the next step.

Slowly lower the shock & hub assemblies out of the way using a floor jack one side at a time.



## STEP 12

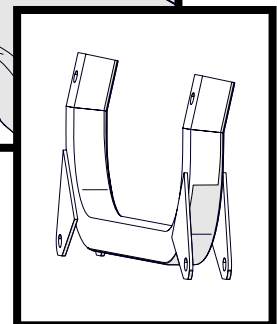
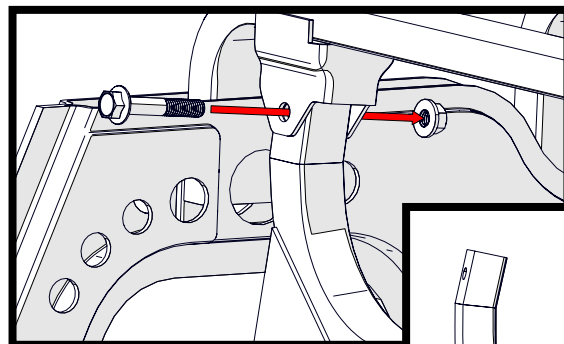


14mm SOCKET & WRENCH

Install the new **Rear Shock Goalpost** to the vehicle frame using the hardware retained from Step 11.

**Torque to 35-43 lb-ft (48-58 Nm).**

NOTE: Be sure the ends of the bracket are angled towards the front of the cart.



Front of cart →



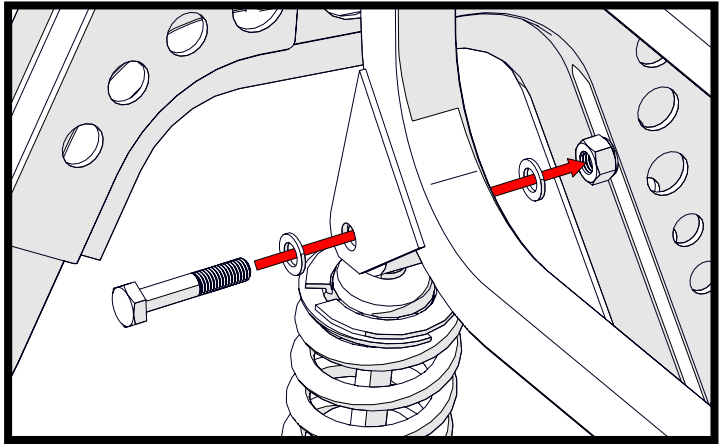
## STEP 13



17mm WRENCH & SOCKET

Install the rear shock to the **Goalpost** using two (2) M10 x 55mm bolts, two (2) M10 nylock nuts, and four (4) M10 flat washers.

**Torque to 35-43 lb-ft (48-58 Nm).**



## STEP 14



19mm SOCKET

Reinstall any parts previously removed such as the bagwell and/or seat kit.

Install new rear wheels/tires to the vehicle.

**Torque the lug nuts to 65 lb-ft (88 Nm)**

Remove the jack stands and lower the vehicle to the ground. We recommend installing 20"-22" Tires on this 4" kit.



**NOTE: \*DO NOT attempt to align or adjust toe/camber until both front and rear lift is installed and cart has been test driven. Camber/Toe install included with 16-055 Front Lift instructions.**

**\* Increasing tire size larger than the stock 18" will increase the operating speed. Take care when maneuvering at all times.**

**\* Do NOT use tire heights greater than 22" tires on this 4" kit. Exceeding tire heights larger than recommended will cause unintended speeds and performance issues.**

**\*\*\*ONLY install this kit in conjunction with the front lift kit 16-055\*\*\***



# REAR INSTALLATION COMPLETE

Yamaha®, Yamaha® Drive®, Drive2® and G-29® are registered trademarks of Yamaha Golf-Car Company. Any reference to Club Car®, E-Z-GO®, or Yamaha® or their associated trademarks, word marks, and products are only for purposes of identifying golf carts with which this MadJax product is compatible. MadJax products are aftermarket parts and are not original equipment parts. MadJax is not connected to, affiliated with, sponsored by, or endorsed by either Textron Innovations, Inc., Club Car, Inc., Yamaha Golf Cart Company, or any of their parent or subsidiary companies.